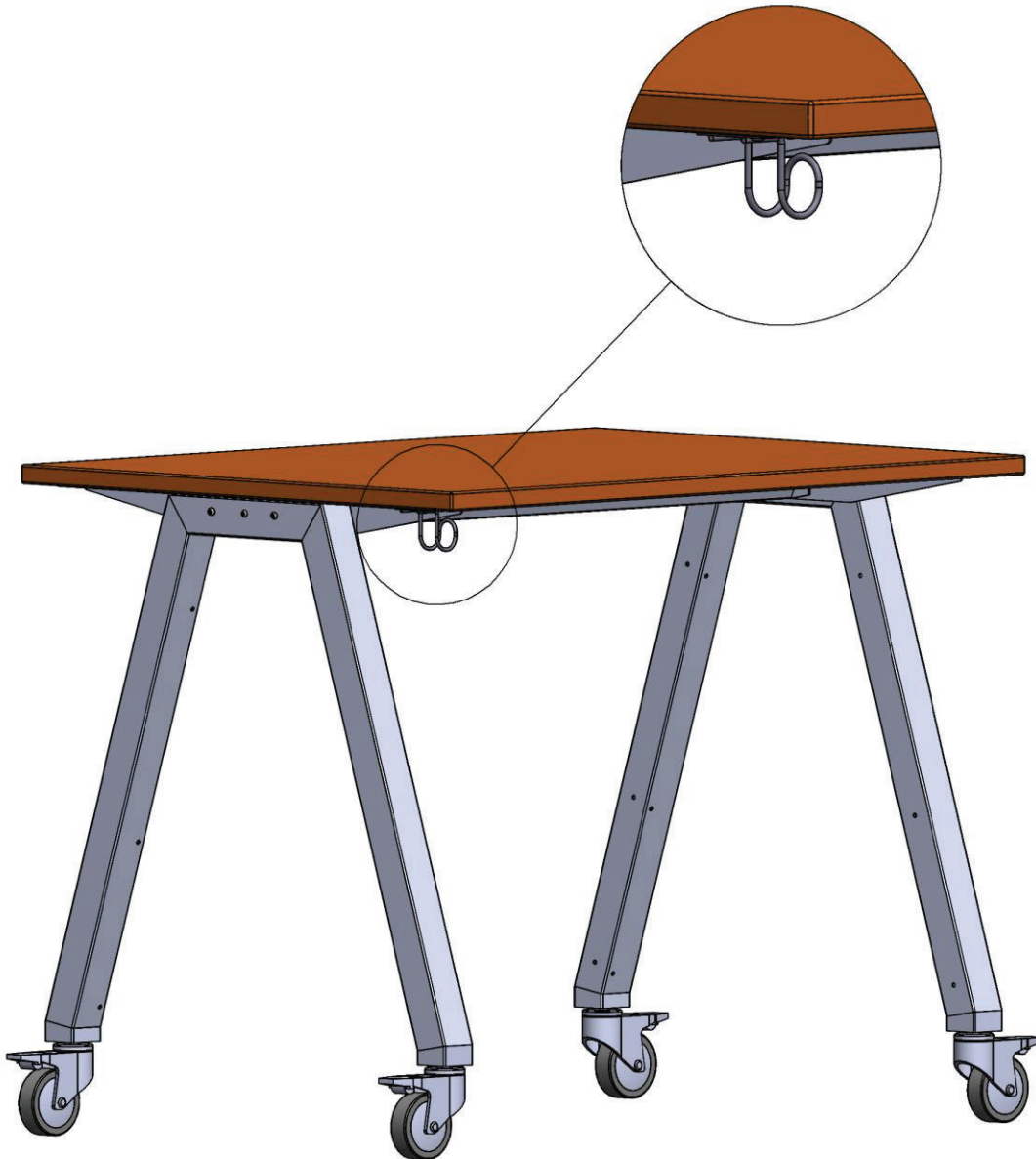


Assembly Instructions

Planner Studio

Backpack Hook

P/N: 77249 PLT



If you have damaged or missing components,
Please contact customer service at 1-800-328-1061

Hardware and Components that come with P/N: 77249 PLT



**SELF-DRILLING
SHEET METAL SCREWS**



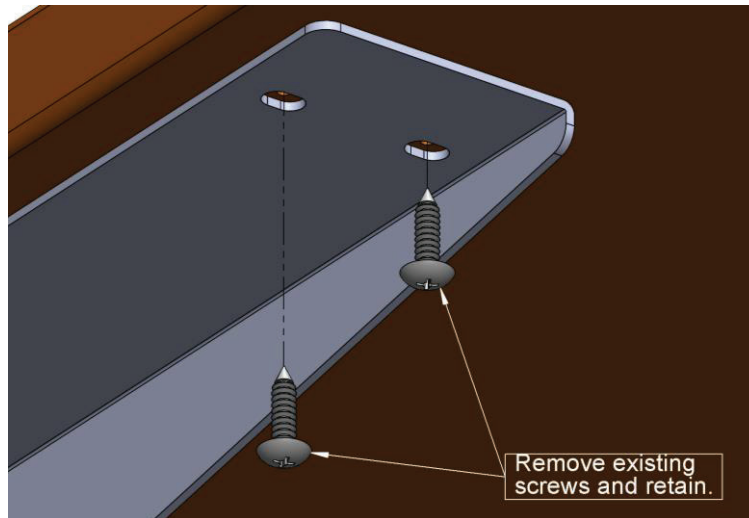
BACKPACK HOOK

Special Notes:

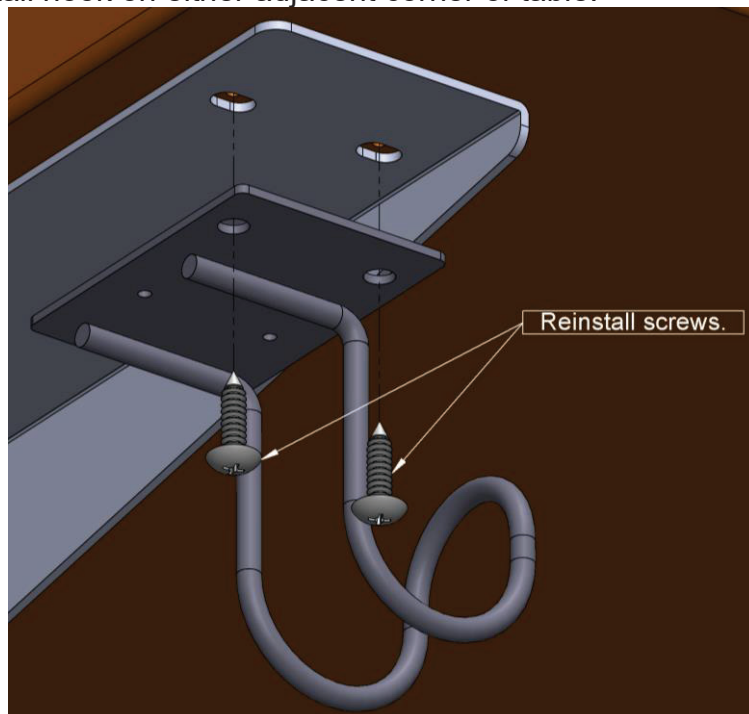
- TOOLS REQUIRED:
 - Drill w/#2 phillips driver bit.
 - Eye protection.
- Metal shavings produced during drilling process. Plan ahead in order to clean up metal shavings appropriately.
- Check that all components are accounted for and undamaged before assembling.
- Please assemble the product in a clean and dry area.
- Team lift if flipping the table is desired during installation. Flipping table not required.
- Clean the product with a mild cleaner and a damp cloth.

Assembly Instructions

Step 1: Remove the two existing screws located under the legs as shown. Keep screws; do not discard. The screws will be used on Step 2.

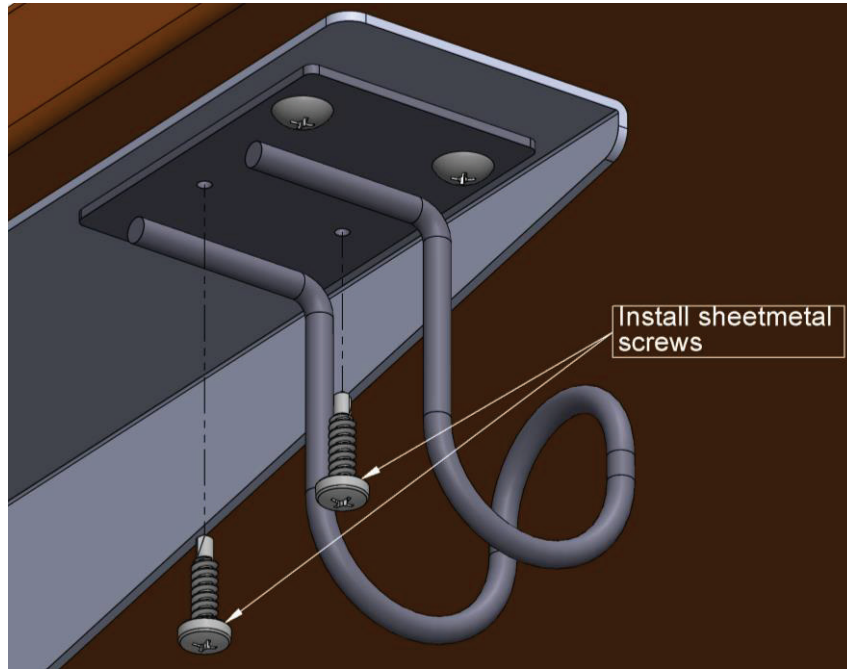


Step 2: Install the backpack hook using the two screws removed from Step 1 until snug. Use care not to overtighten. Overtightening will strip the threads in the wood top.
IMPORTANT NOTE: Hook can be installed facing in or out, depending on what corner is selected to install on. If a different orientation is desired, install hook on either adjacent corner of table.



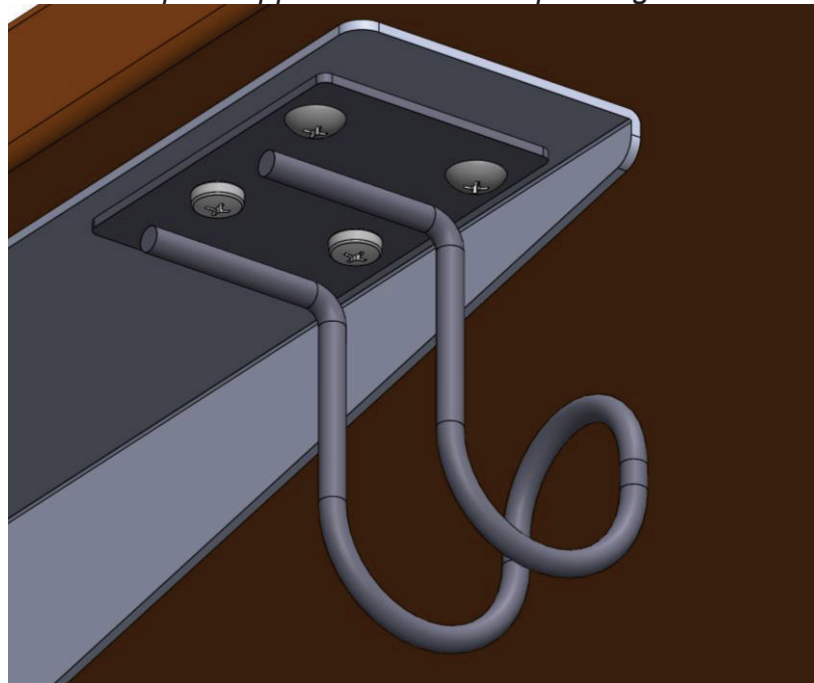
Step 3: Using the remaining smaller holes as a guide, install the 2 supplied self-drilling sheet metal screws using a drill equipped with a #2 phillips driver bit. The screws need to drill through the small holes, then into, and through the metal leg bracket.

SAFETY: Use eye protection. Small metal shavings released during Step 3.



Correctly installed hook mounting plate.

Note: hook could point opposite direction depending on corner of table.



Done