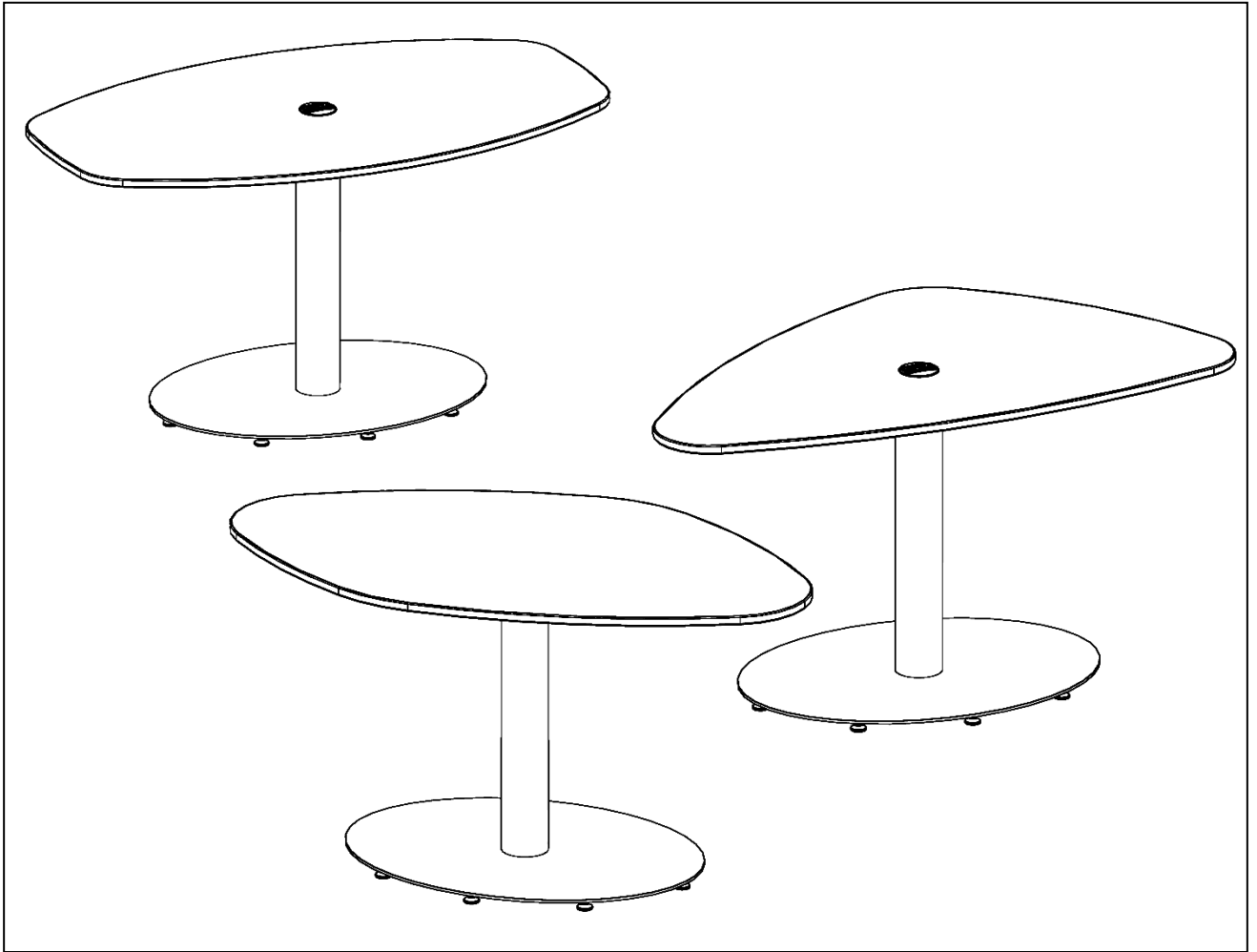


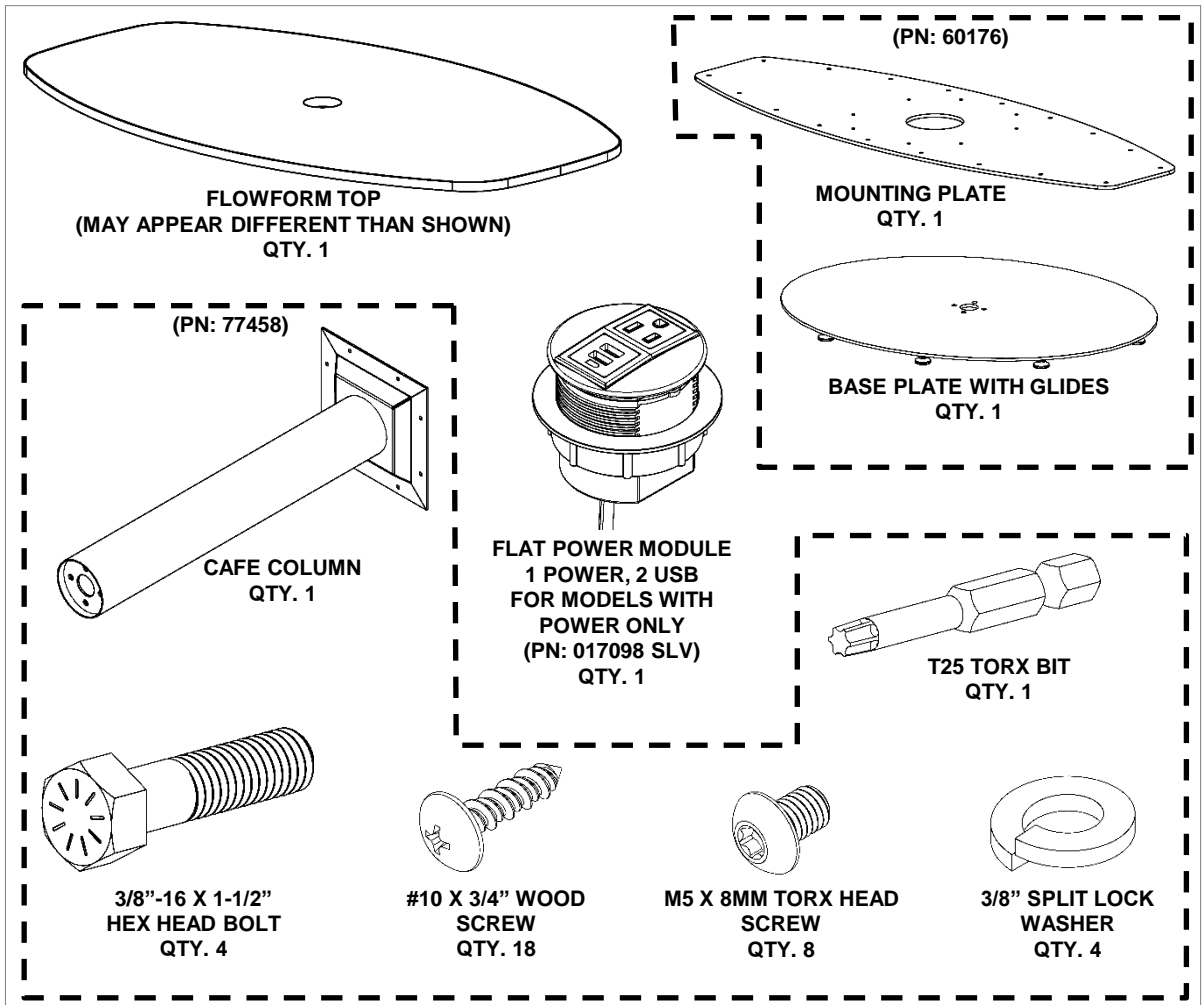
Assembly Instructions

Flowform Café Base Tables



If you have damaged or missing components,
please contact customer service at 1-800-328-1061

Hardware and Components

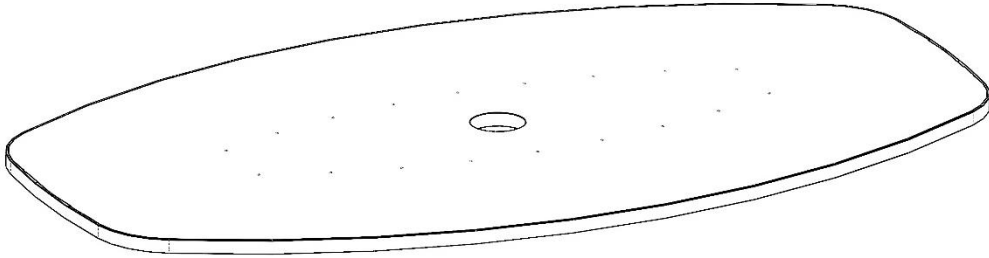


Special Notes:

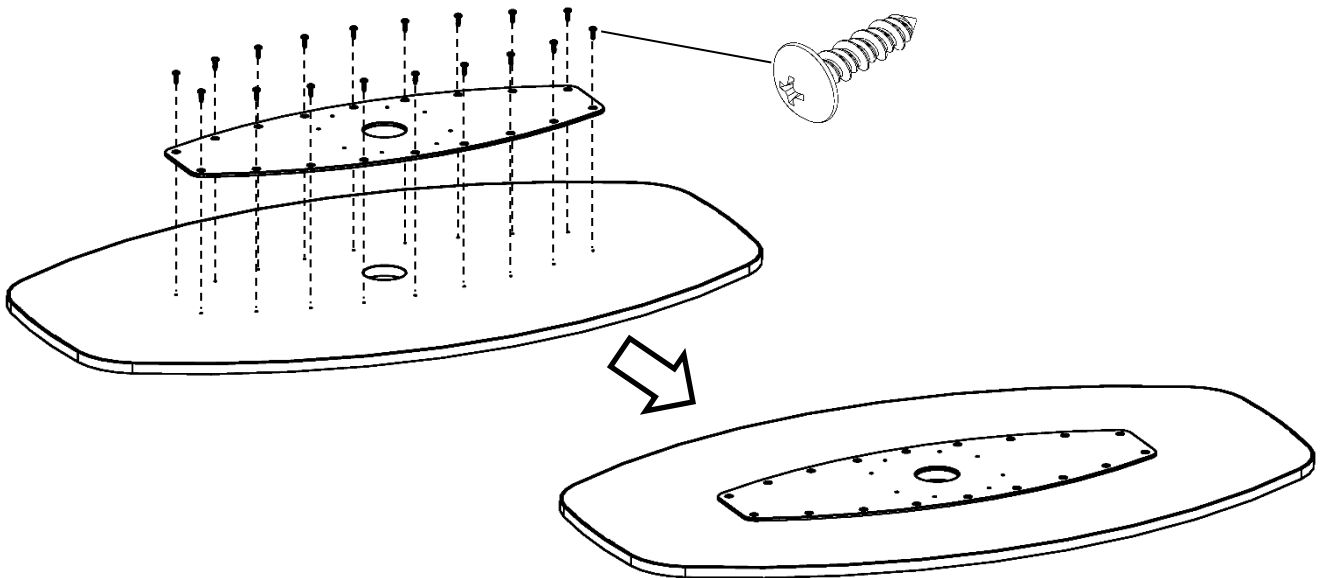
- TOOLS REQUIRED:
 - Drill w/ #2 Phillips driver bit or #2 Phillips head screwdriver
 - Drill w/ T25 Torx driver bit (bit provided)
 - Drill w/ 9/16" Socket bit or 9/16" wrench
- Check that all components are accounted for and undamaged before assembling.
- Please assemble the product in a clean and dry area.
- You may need another person to help assemble the product. Team lifting may be required.
- Clean the product with a mild cleaner and a damp cloth.
- Replacement hardware listed on last page.

Assembly Instructions

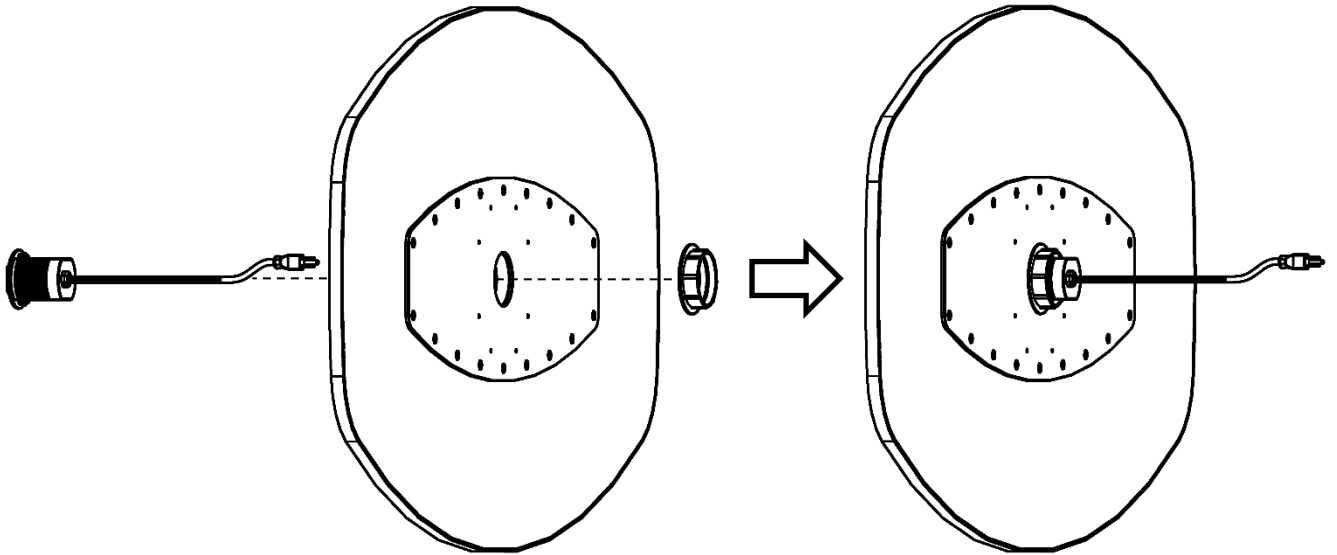
1. Lay top down on a clean smooth surface that will not harm the top finish. The underside of the top should be exposed. **Top may be heavy; team lifting is encouraged.**



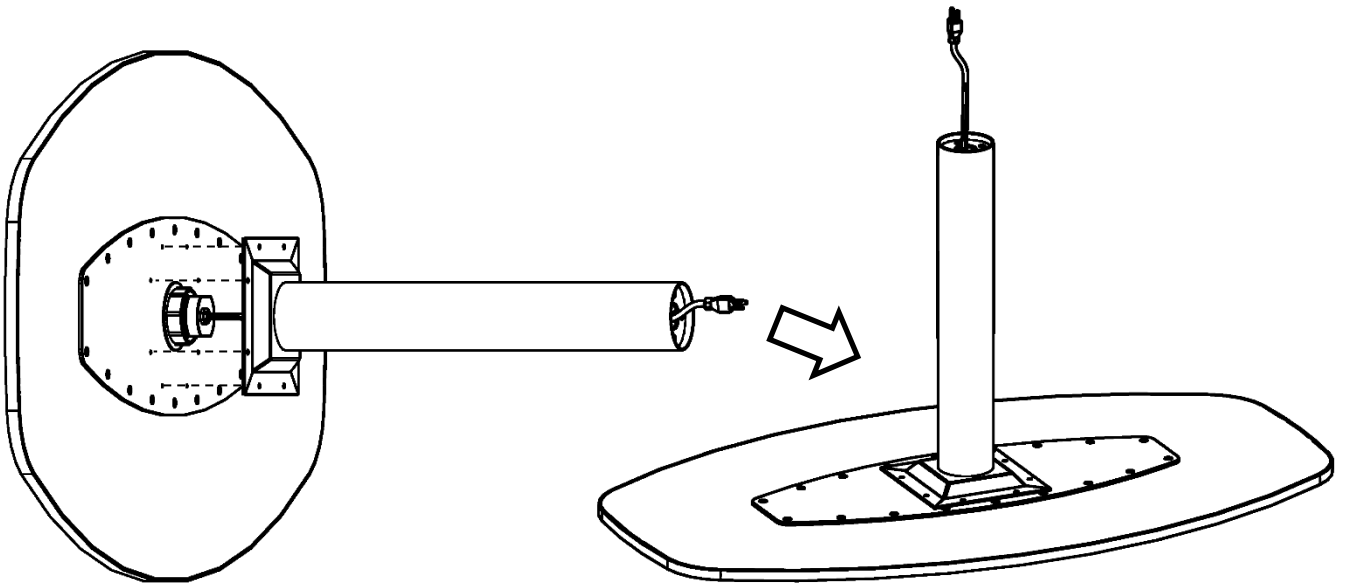
2. Align the holes in the Mounting Plate with the center hole and pilot holes on the underside of the top. Install 18 of the #10 X 3/4" Wood Screws using a Phillips bit or screwdriver to secure the Mounting Plate to the top.



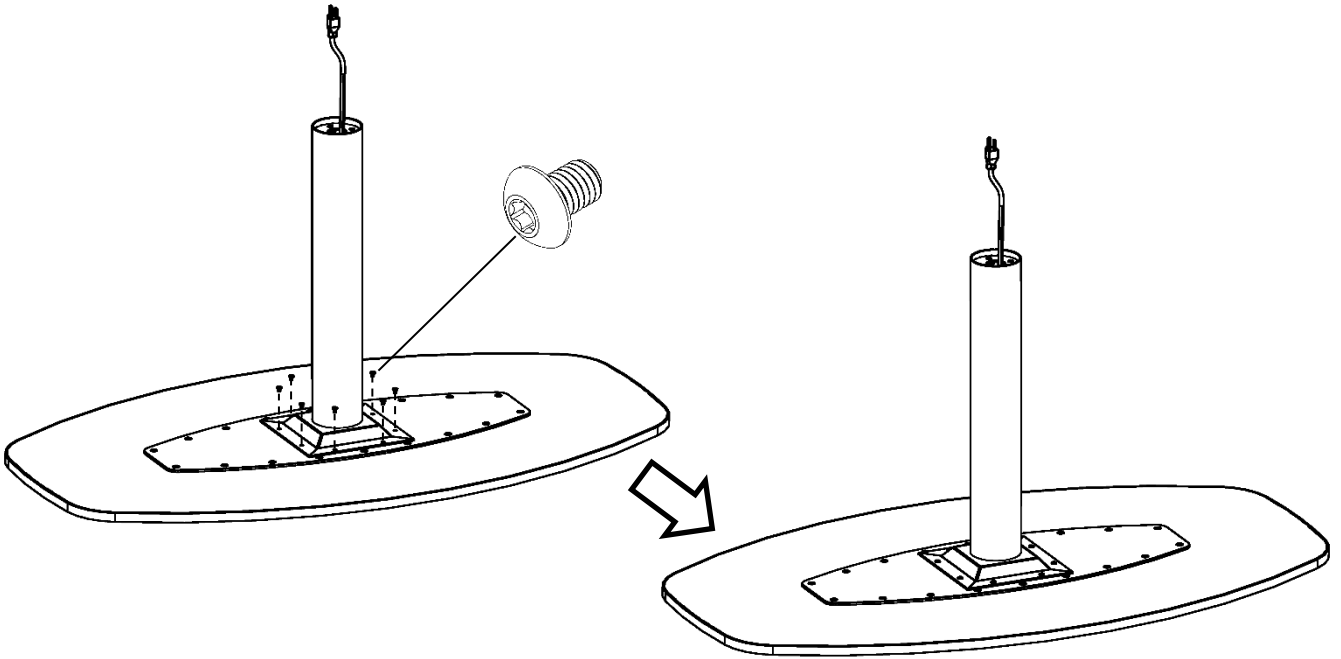
3. **FOR MODELS WITH POWER:** Flip the top on its side; you will need a helper to hold the top in this position. Remove the screw on retainer from the Flat Power Module and then feed the power cord through the center hole in the top. Reinstall the screw retainer on the other side of the top with the mounting plate attached.



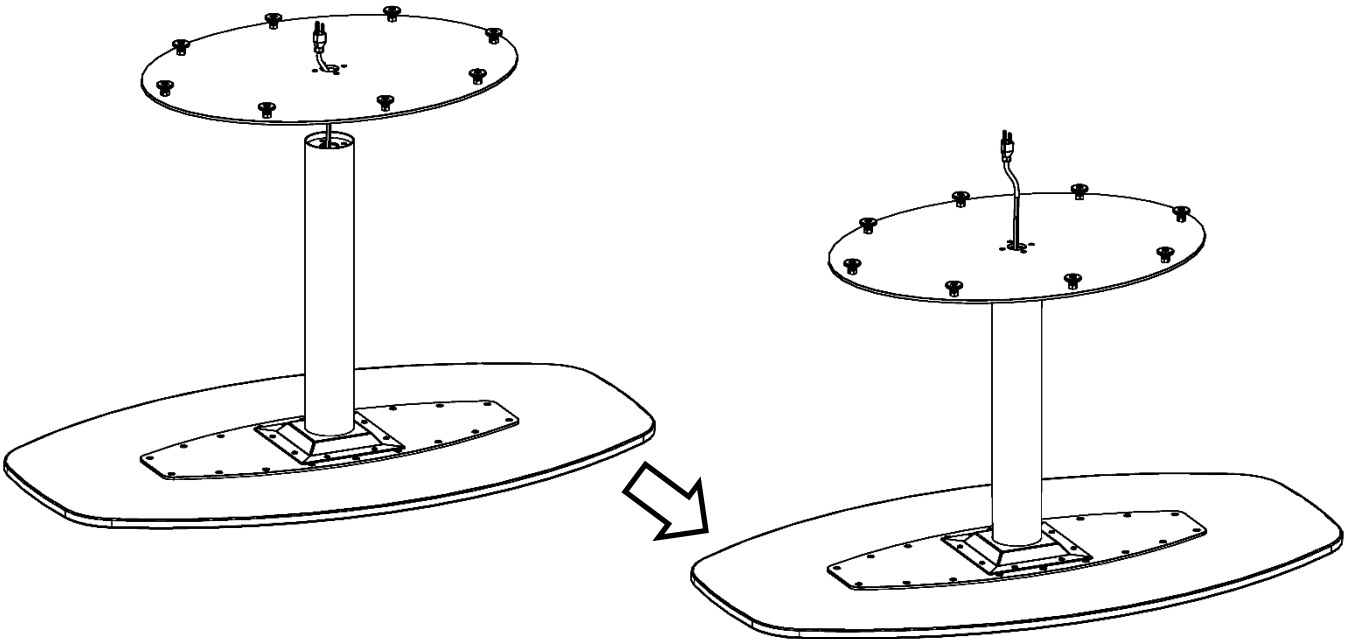
4. **FOR MODELS WITH POWER:** Feed the power cord through the Cafe Column. Then flip the table back onto the top with the column facing up.



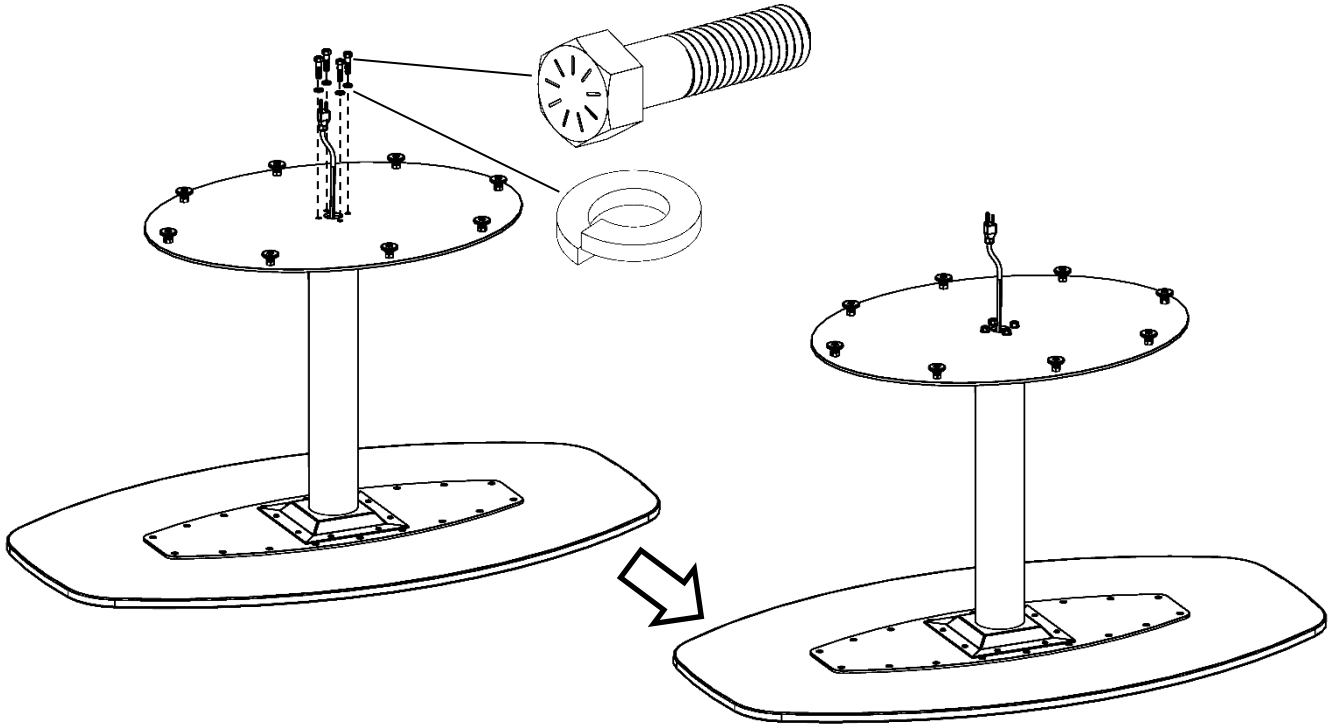
5. Install eight of the M5 X 8mm Torx Screw to secure the Cafe Column to the Mounting Plate using the provided T25 Torx Bit.



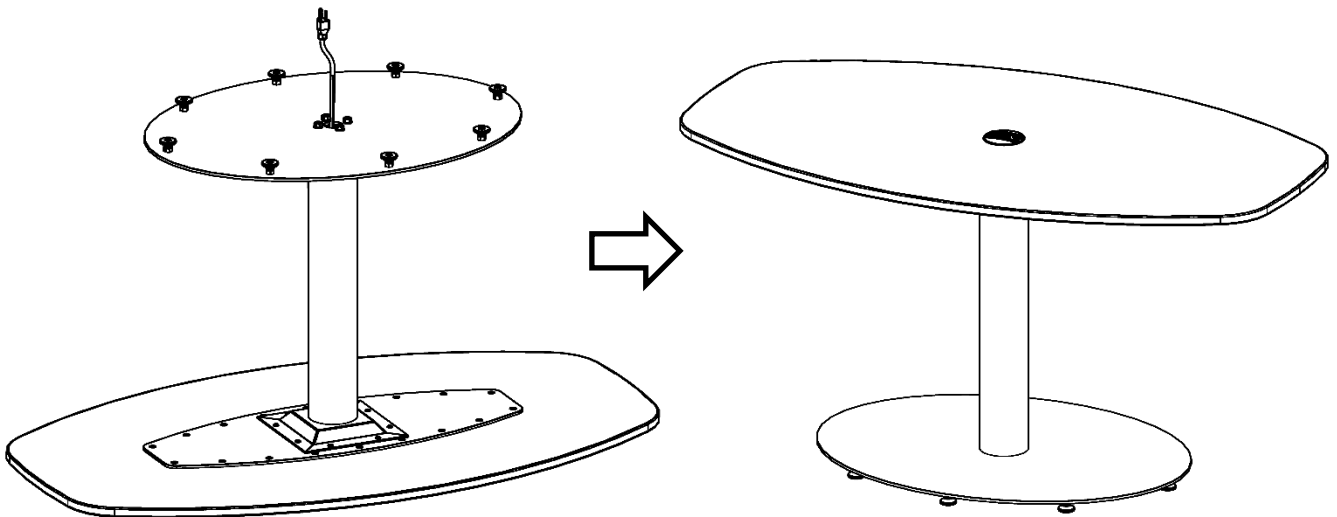
6. **FOR MODELS WITH POWER:** Feed the power cord through the Base Plate.



7. Install 4 of the 3/8" Split Lock Washers and 4 of the 3/8"-16 X 1-1/2" Hex Head Bolts to secure the Base Plate to the Cafe Column using a 9/16" Socket Wrench.



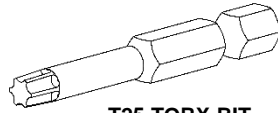
8. Flip table over to the upright position. It is recommended that you use a partner to help you with this step.



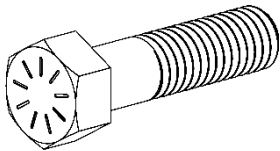
ASSEMBLY COMPLETE

Replacement Hardware

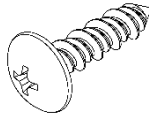
[REPLACEMENT HARDWARE PACK: 60178-R]



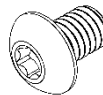
T25 TORX BIT
QTY. 1



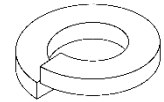
**3/8\"-16 X 1-1/2\"
HEX HEAD BOLT**
QTY. 4



**#10 X 3/4\" WOOD
SCREW**
QTY. 18



**M5 X 8MM TORX HEAD
SCREW**
QTY. 8



**3/8\" SPLIT LOCK
WASHER**
QTY. 4